



Cal. VX3LA

ϕ 23.3 mm
H 3.05 mm

Items	Rev.	Page
Specifications	01	1
Appearance	01	2
Casing	02	3
Hand fitting	05	4
Hand setting stem	00	5
Dial	00	6
Casing ring	00	7

Date: 15/Sep/'09

S.EPSON Products

MOVEMENT SPECIFICATIONS

CAL. VX3L

Analog Quartz 10 1/2" Slim Movement / 3 hands (H/M/S) and 3 eyes
with Day / Date / 24Hour indicators

1. MOVEMENT DIMENSIONS

- *Outside diameter ϕ 24.00mm \times 21.50mm(3-9H) \times 21.50mm(12-6H)
- *Casing diameter ϕ 23.30mm \times 21.30mm(3-9H) \times 21.50mm(12-6H)
- *Total height 3.05mm (including battery)

2. TIME STANDARD

- *Type of quartz oscillator Tuning fork
- *Frequency of quartz oscillator 32,768 Hz
- *Accuracy \pm 20 seconds per month (on wrist)
- *Operating temperature range -5°C to $+50^{\circ}\text{C}$
- *Regulation device Nil (Pre-adjusted)

3. INDICATOR / FUNCTIONS

- *3 Hands Hour / Minute / Second
- *3 Small hands Day / Date / 24Hour
- *Reset switch
- *Setting mechanism Crown at normal position : Free
Crown pulled out 1st click : Instant date change
Crown pulled out 2nd click : Time setting (Day change) / Reset

4. FEATURES

- *Jewels 1 Jewel
- *Anti-magnetism Over 1600A/m (Direct current magnetic field)
- *Maximum unbalance of hands Second hand : 6 mg \cdot mm
Minute hand : 65 mg \cdot mm

5. BATTERY

- *Type / Size Silver oxide battery / ϕ 9.5mm \times t 1.6mm
- *Recommended battery SR916SW (Maxell, Panasonic, Sony, Seizaiken)
- *Nominal voltage 1.55 V
- *Battery life Approx. 3 years
- *Driving current consumption Approx. 0.85 μ A
- *Operation stopping voltage 0.9 V

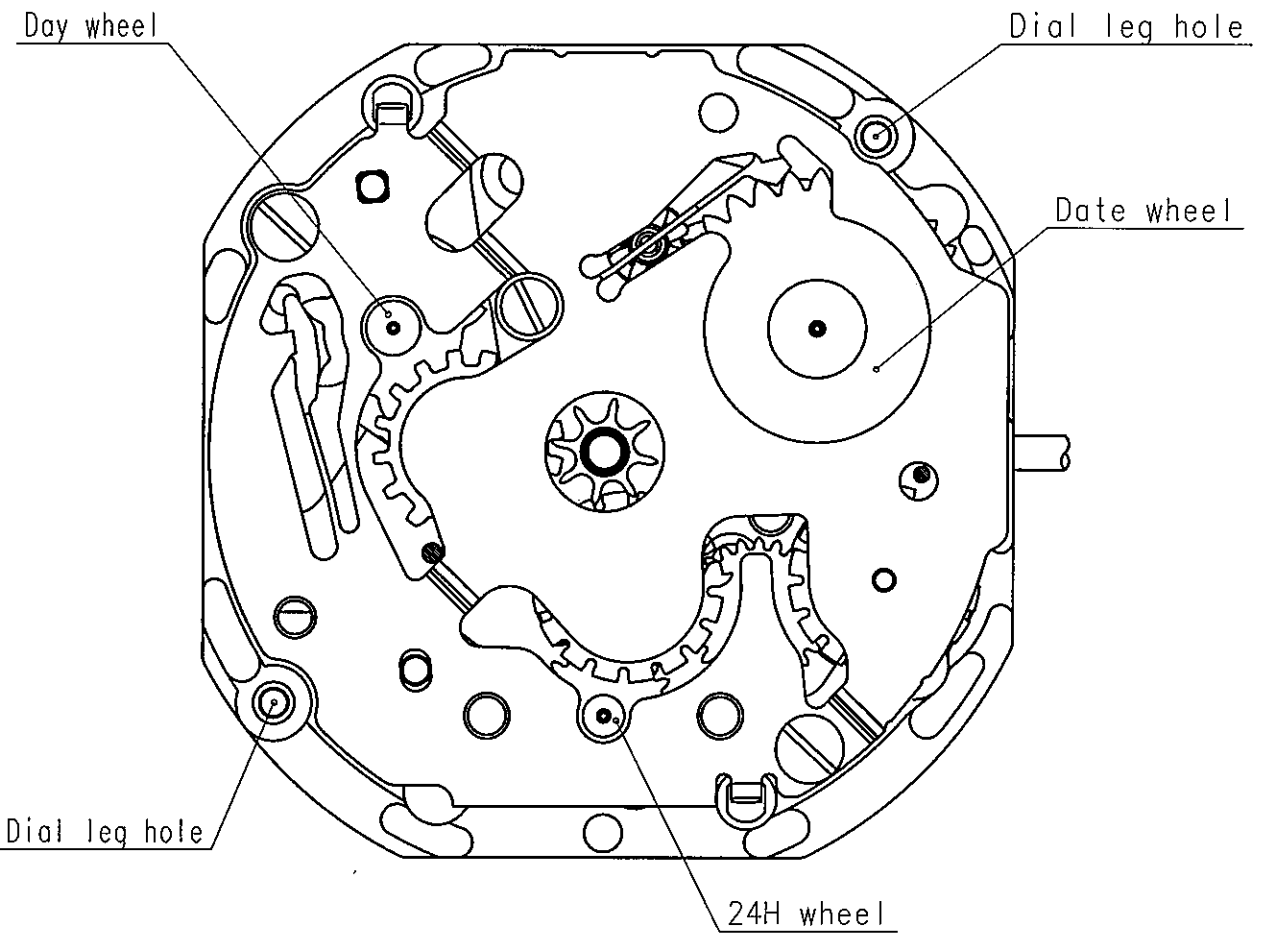
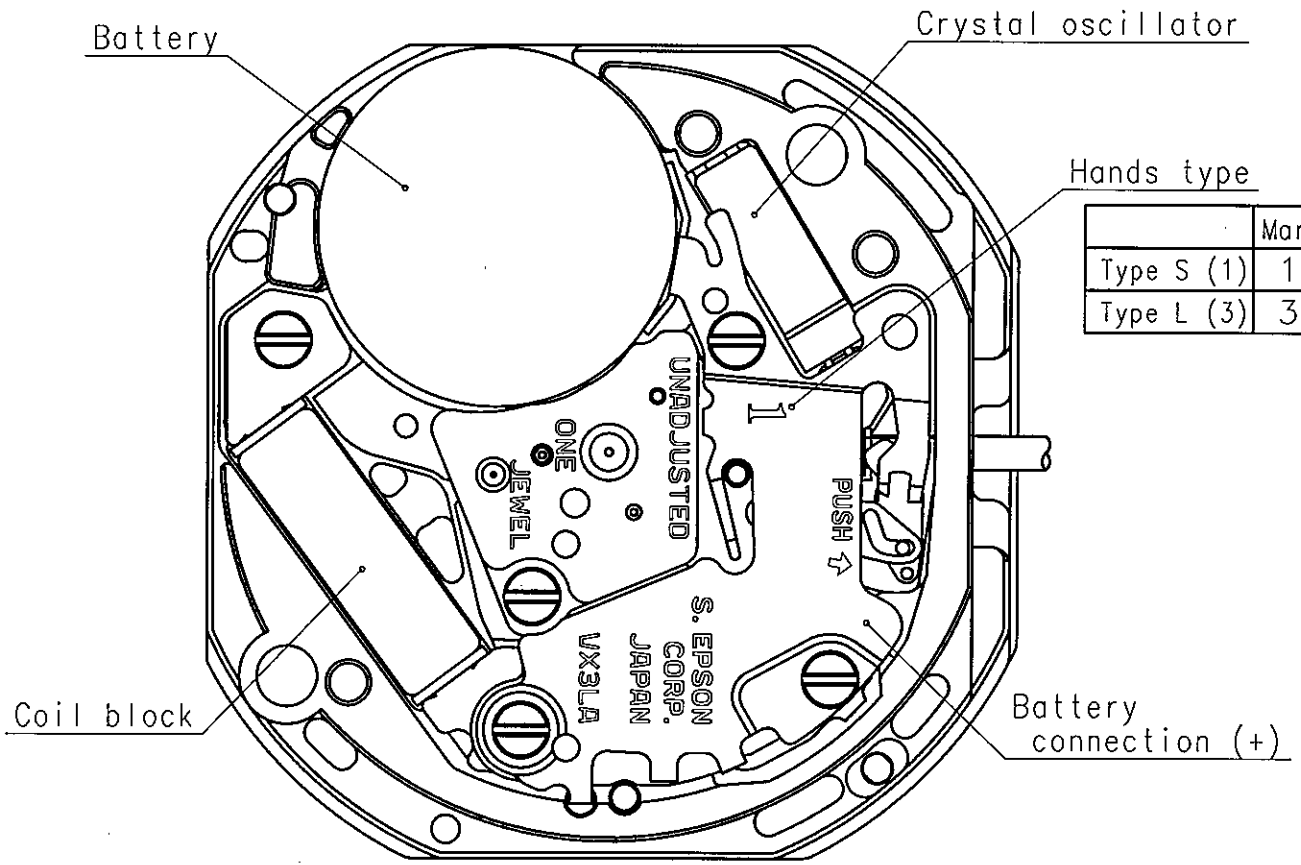
6. SEPARATED PARTS (Parts code)

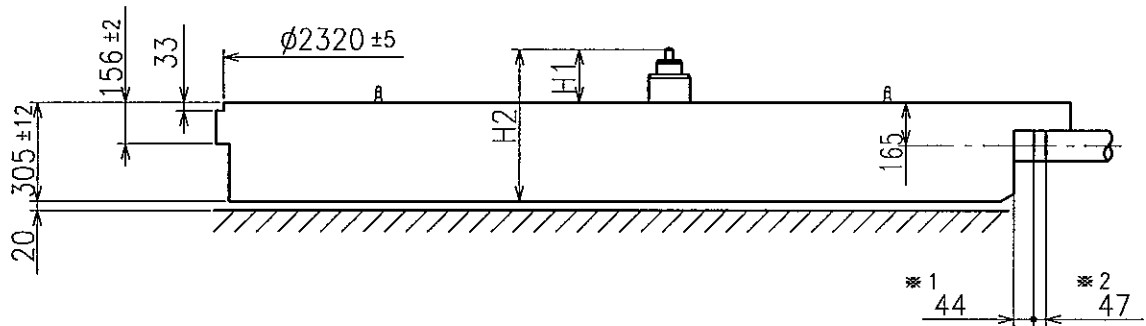
- *Hand setting stem 0354531 or 0354534
- *Battery SR916SW

7. TEST OF ACCURACY

- *Equipment to be used SEIKO quartz tester QT-99,
Greiner quartz timer-C , Witschi Q-tester 4000
- *Duration of measurement 10 seconds
- *Microphone to be used Electromagnetic detection type

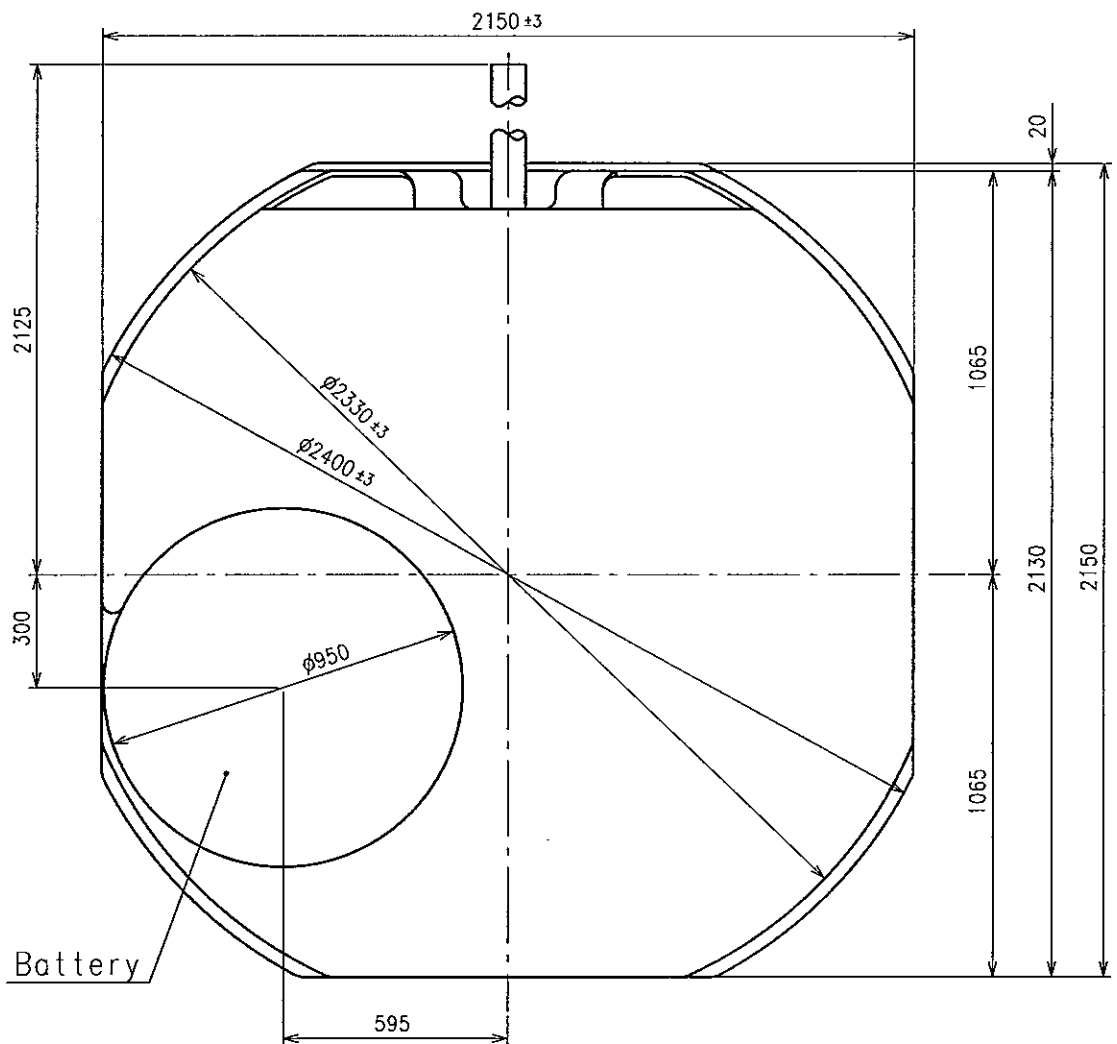
All specifications are subject to change without notice.



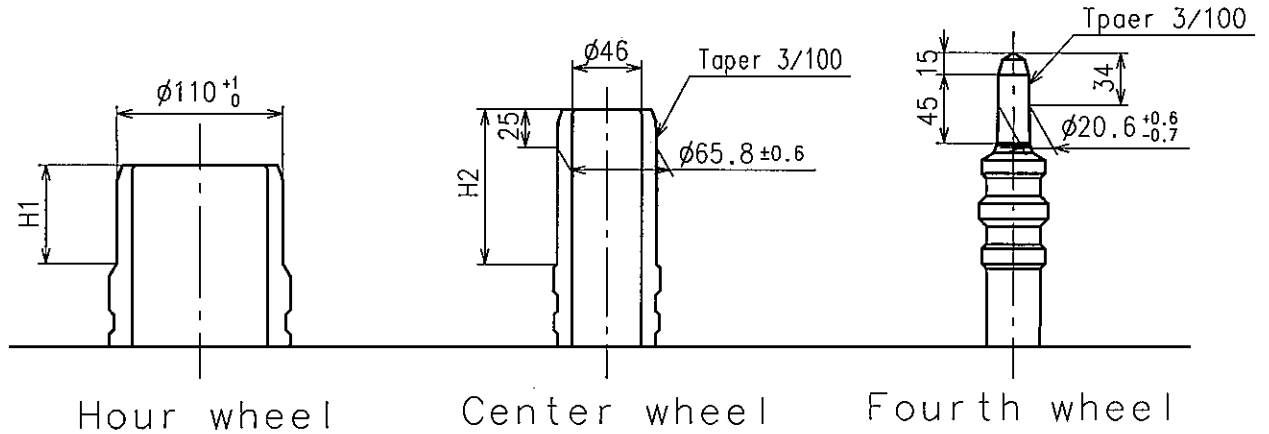


Center post	Type S (1) VX3LA1	Type L (3) VX3LA2
Maximum height from dial support	H1 180	220
Total height incl. movement	H2 500	540

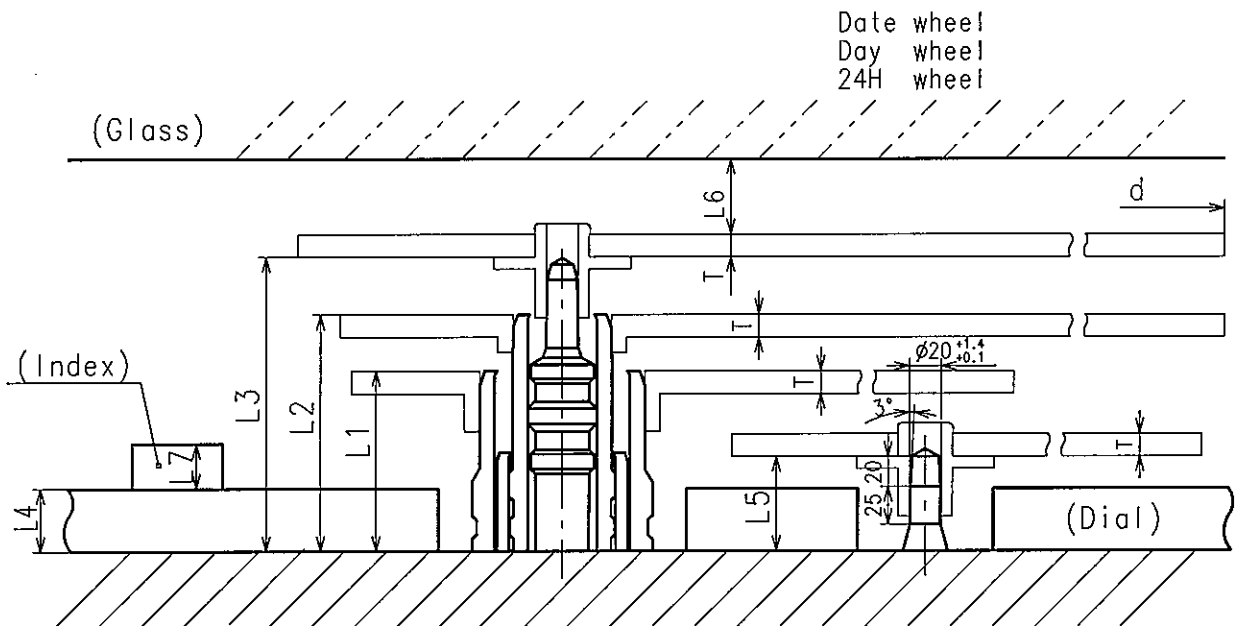
*1: First pullout stroke
*2: Second pullout stroke



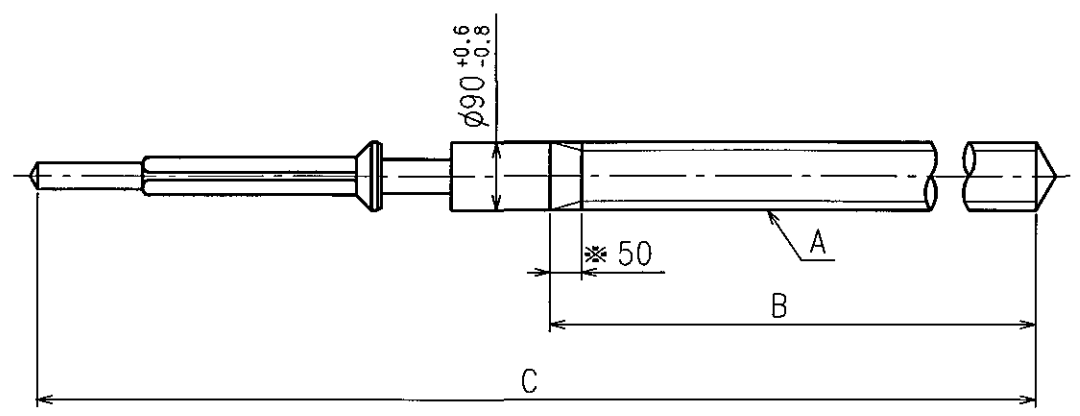
- ※ Minute hand unbalance ≦ $65\mu\text{g} \cdot \text{m}$ ($0.64\mu\text{N} \cdot \text{m}$)
- ※ Second hand unbalance ≦ $6\mu\text{g} \cdot \text{m}$ ($0.06\mu\text{N} \cdot \text{m}$)



	Parts No.			Dimension	
	Hour wheel	Center wheel	Fourth wheel	H1	H2
Type S (1) VX3LA1	0271538	0221537	0241537	65	103
Type L (3) VX3LA2	0271579	0221592	0241563	65	141



	L1	L2	L3	L4	L5	L6	L7	T	d
Type S (1) VX3LA1	120	157	180	40	63	MIN: 50	MAX: 30	15	MAX: φ2500
Type L (3) VX3LA2	156	195	220	70	99	MIN: 50	MAX: 30	15	MAX: φ2500

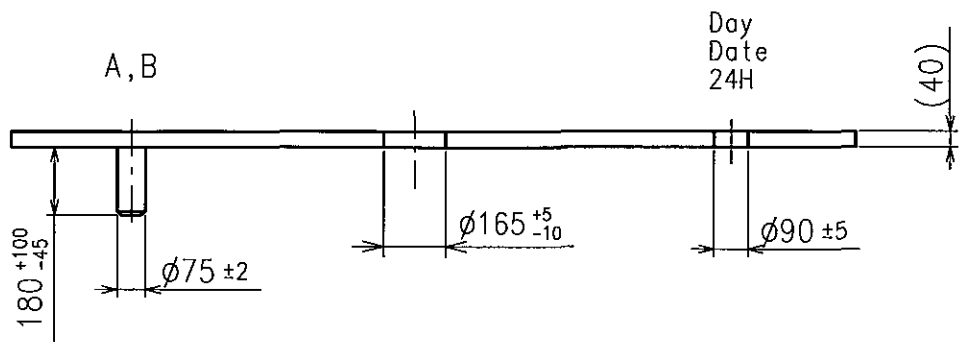
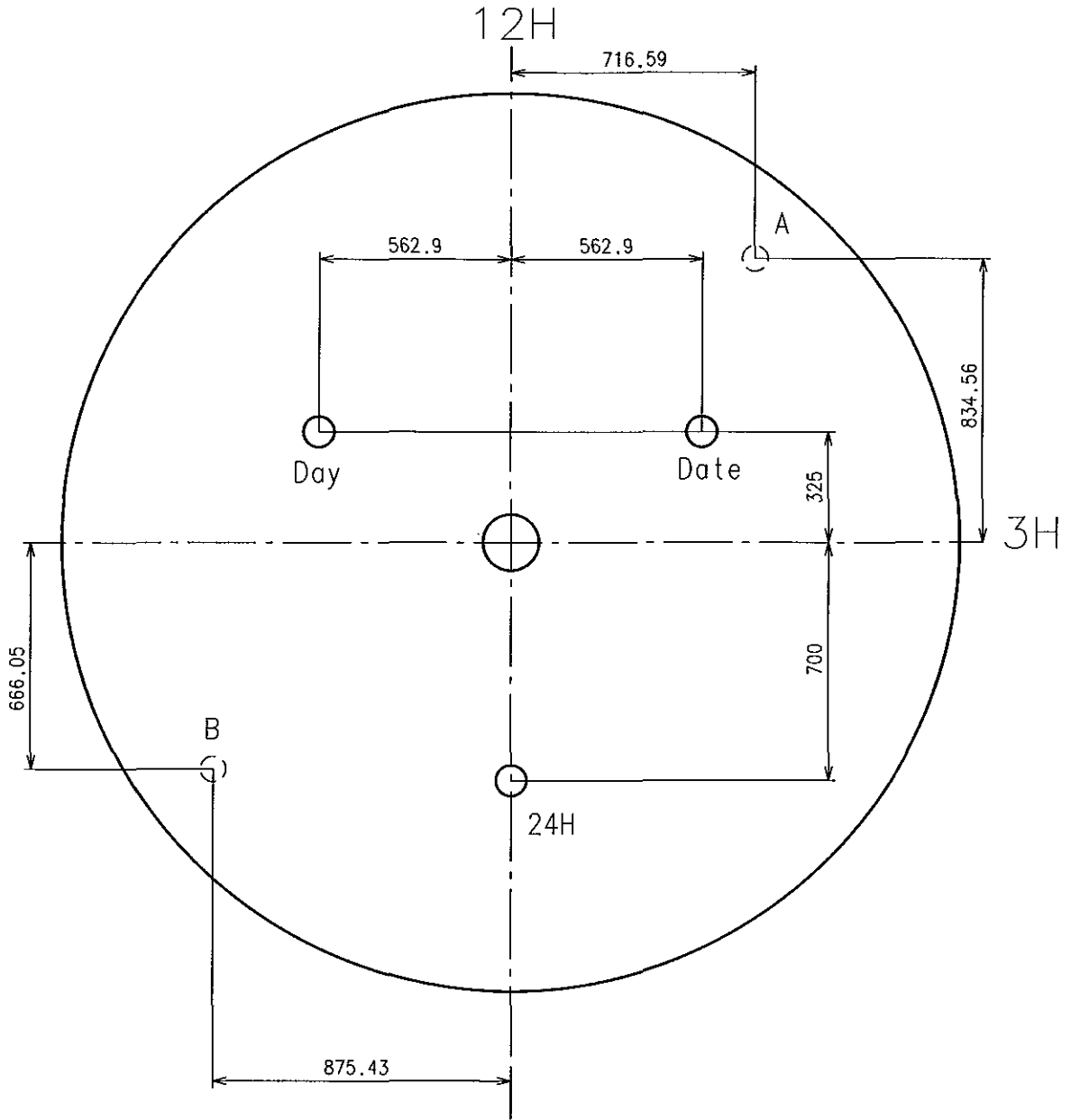


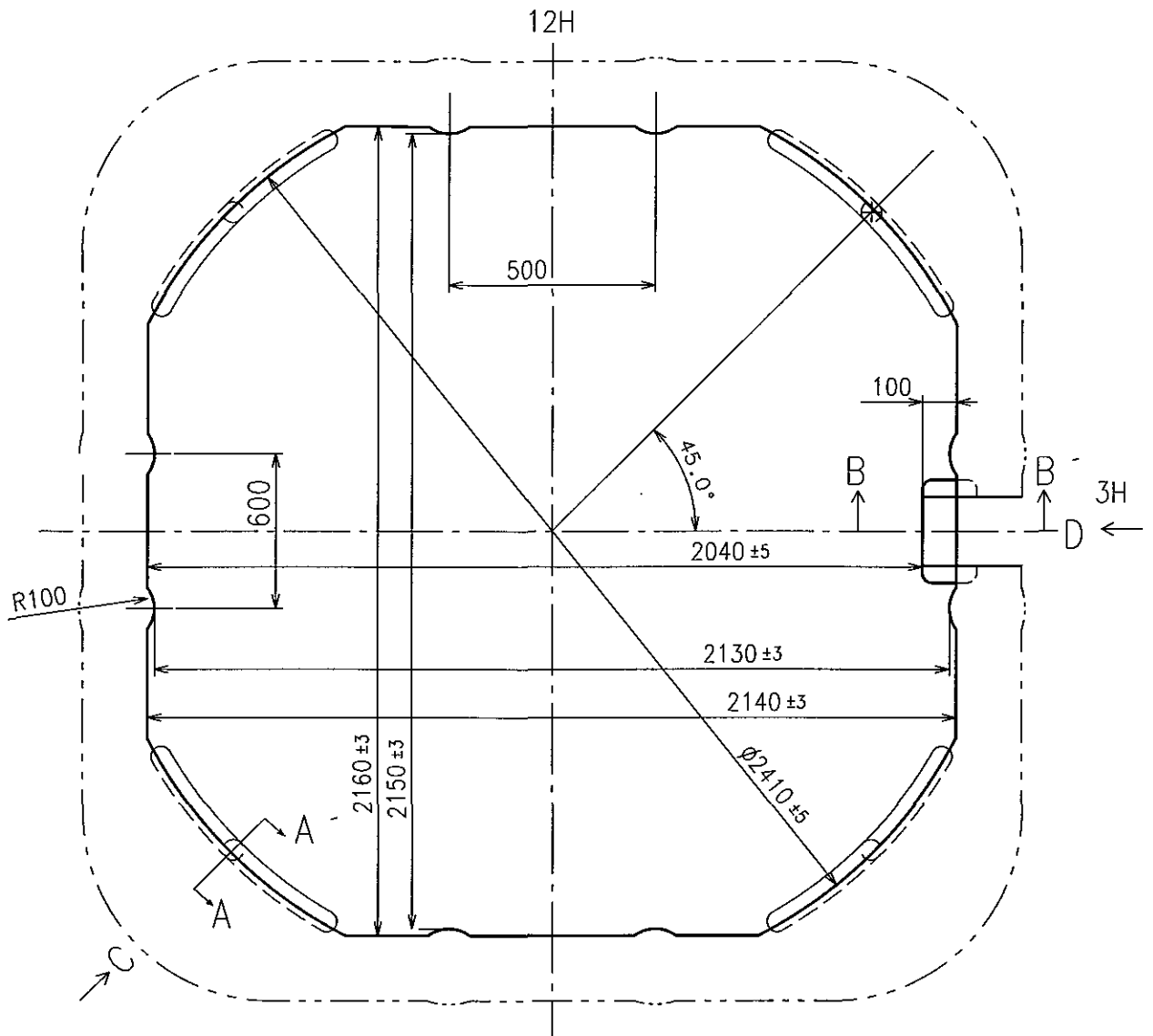
* Not threaded

	Part No.	A	B	C
Standard Type 1	0354531	$\phi 90$ P22.5	1225	1904
Type 2	0354534	$\phi 90$ P22.5	1500	3055

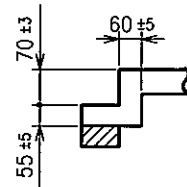
Material : Steel

Hardness : Vickers 600 ± 50

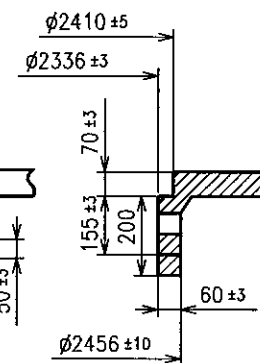




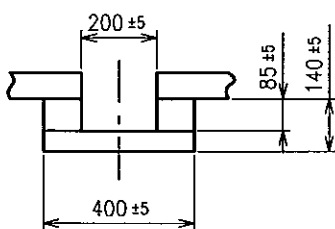
B-B section



A-A section



D view



C view

